

# East Star Electronics Co., Ltd

## Varistor Type MYL3-20KA

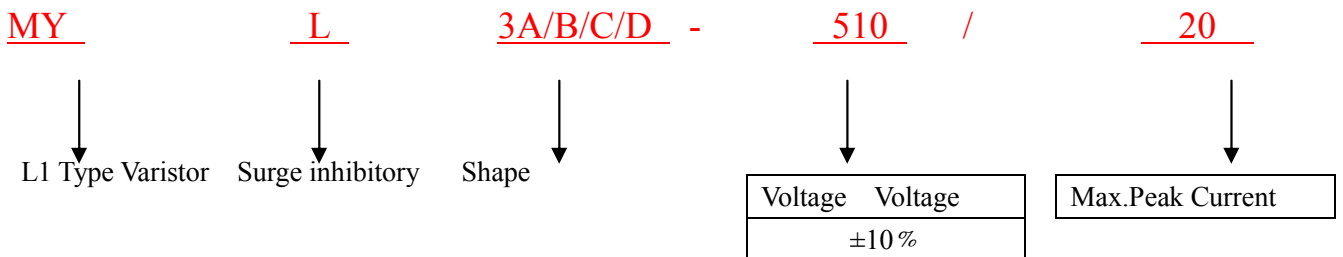
### ■ Features

- ▼ (200V-1800V)Varistor voltage (200V-1800V)
- ▼ Excellent non-linearity coefficient
- ▼ Great withstanding surge current
- ▼ Fast response time

### ■ Recommended Applications

- ▼ Protection of semiconductor
- ▼ Surge protection of consumer equipment
- ▼ Surge protection of communication, measuring of controller instrument
- ▼ Relay or electro magnetic surge absorption

### ■ Explanation of Part Numbers



### ■ Dimension

	Range of voltage V	Dimensions(mm)						
		W1±2	W2±2	W3±2	H±2	Dmax	d±2	mx
MYL3A/B/C/D —20KA	200~1400	62	51	24	56	15	4.5	M4

Tel: 0086-0756-2266731

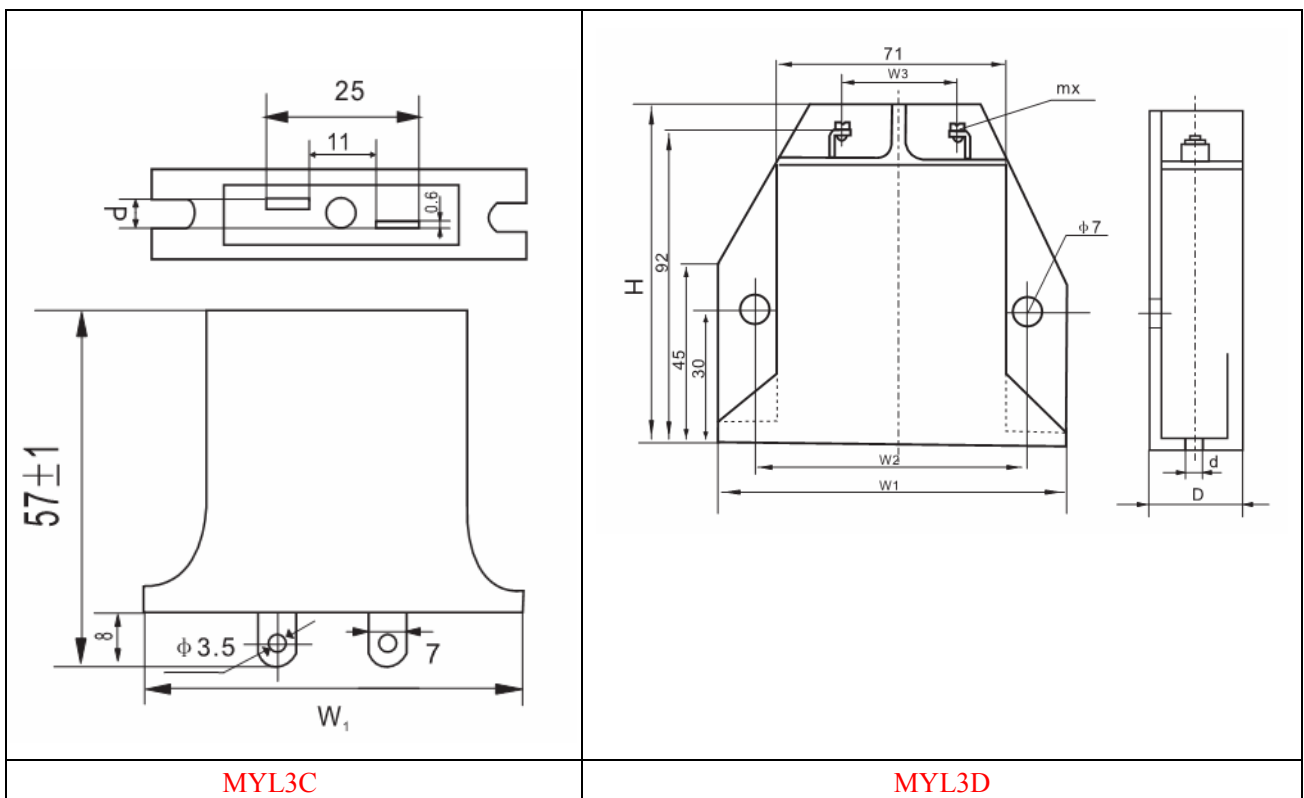
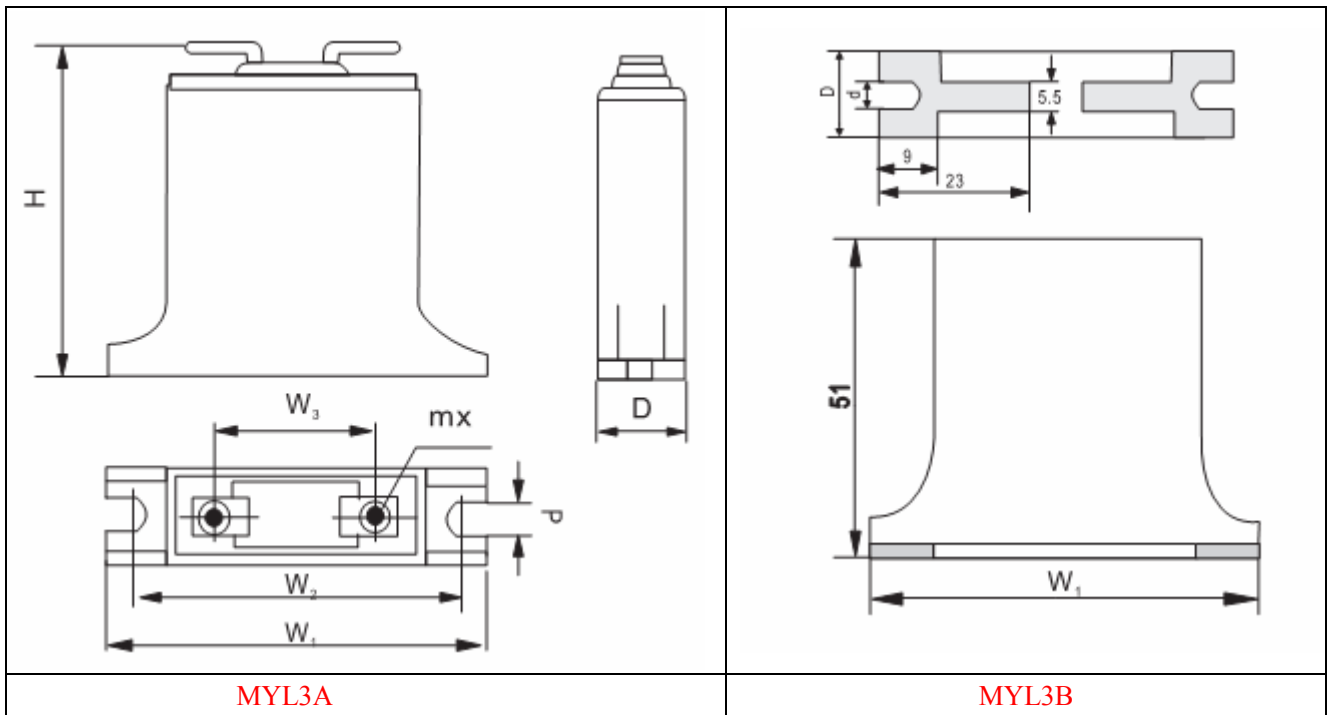
Web: [www.eaststarelectronics.com](http://www.eaststarelectronics.com)

Add: 10F Xinhai Commercial Building ,No 104 Yuan Lin Road ,Jida District ,Zhuhai, Guangdong , China

Fax: 0086-0756-3362716

E-mail: [eaststar@zhese.net](mailto:eaststar@zhese.net)

# East Star Electronics Co., Ltd



Tel: 0086-0756-2266731

Web: [www.eaststarelectronics.com](http://www.eaststarelectronics.com)

Add: 10F Xinhai Commercial Building, No 104 Yuan Lin Road, Jida District, Zhuhai, Guangdong, China

Fax: 0086-0756-3362716

E-mail: [eaststar@zhese.net](mailto:eaststar@zhese.net)

# East Star Electronics Co., Ltd

Model No.	Varistor Voltage	Max. Allowable Voltage		Max. Clamping Voltage		Max.peak Current	Energy	Rated Power	Capacitance (Reference) 1KHZ
		Acrms (V)	DC (V)	Vc (V)	Ip (A)				
MYL3ABCD200/20	200(180~220)	130	170	340	250	20000	150	1.2	6200
MYL3ABCD220/20	220(198~242)	140	180	360	250	20000	150	1.2	5500
MYL3ABCD240/20	240(216~264)	150	200	395	250	20000	150	1.2	5100
MYL3ABCD270/20	270(243~297)	175	225	455	250	20000	150	1.2	4800
MYL3ABCD300/20	300(270~330)	195	250	495	250	20000	150	1.2	4300
MYL3ABCD330/20	330(297~363)	210	275	540	250	20000	150	1.2	4000
MYL3ABCD360/20	360(324~396)	230	300	595	250	20000	150	1.2	3800
MYL3ABCD390/20	390(351~429)	250	320	650	250	20000	150	1.2	3400
MYL3ABCD430/20	430(387~473)	275	385	710	250	20000	150	1.2	3100
MYL3ABCD470/20	470(423~517)	300	385	775	250	20000	150	1.2	2800
MYL3ABCD510/20	510(459~561)	320	430	855	250	20000	150	1.2	2600
MYL3ABCD560/20	560(504~616)	350	455	945	250	20000	150	1.2	2400
MYL3ABCD620/20	620(558~682)	380	505	1025	250	20000	150	1.2	2100
MYL3ABCD680/20	680(612~748)	420	560	1120	250	20000	150	1.2	1900
MYL3ABCD750/20	750(675~825)	460	615	1240	250	20000	150	1.2	1700
MYL3ABCD780/20	780(702~858)	485	640	1280	250	20000	150	1.2	1600
MYL3ABCD820/20	820(735~902)	510	670	1355	250	20000	150	1.2	1500
MYL3ABCD910/20	910(819~1000)	550	745	1500	250	20000	150	1.2	1500
MYL3ABCD1000/20	1000(900~1100)	625	825	1650	250	20000	150	1.2	1350
MYL3ABCD1100/20	1100(990~1210)	680	895	1815	250	20000	150	1.2	1200
MYL3ABCD1200/20	1200(1080~1320)	750	970	1980	250	20000	150	1.2	1050
MYL3ABCD1300/20									
MYL3ABCD1400/20									
MYL3ABCD1500/20									
MYL3ABCD1700/20									
MYL3ABCD1800/20									

Tel: 0086-0756-2266731

Web: [www.eaststarelectronics.com](http://www.eaststarelectronics.com)

Add: 10F Xinhai Commercial Building ,No 104 Yuan Lin Road ,Jida District ,Zhuhai, Guangdong , China

Fax: 0086-0756-3362716

E-mail: [eaststar@zhese.net](mailto:eaststar@zhese.net)