

East Star Electronics Co., Ltd

Varistor Type MYL3-10KA

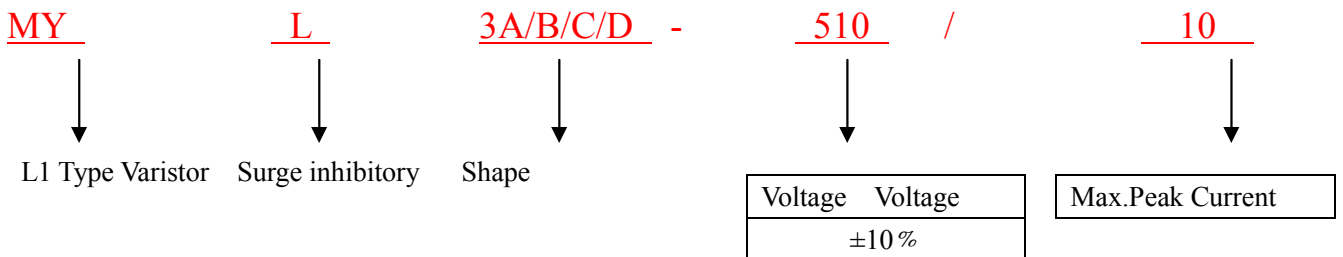
■ Features

- ▼ (200V-1800V)Varistor voltage (200V-1800V)
- ▼ Excellent non-linearity coefficient
- ▼ Great withstanding surge current
- ▼ Fast response time

■ Recommended Applications

- ▼ Protection of semiconductor
- ▼ Surge protection of consumer equipment
- ▼ Surge protection of communication, measuring of controller instrument
- ▼ Relay or electro magnetic surge absorption

■ Explanation of Part Numbers



■ Dimension

| | Range of voltage V | Dimensions(mm) | | | | | | |
|----------------------|-----------------------|----------------|------|------|-----|------|-----|----|
| | | W1±2 | W2±2 | W3±2 | H±2 | Dmax | d±2 | mx |
| MYL3A/B/C/D —10KA | 200~1200 | 62 | 51 | 24 | 56 | 15 | 4.5 | M4 |

Tel: 0086-0756-2266731

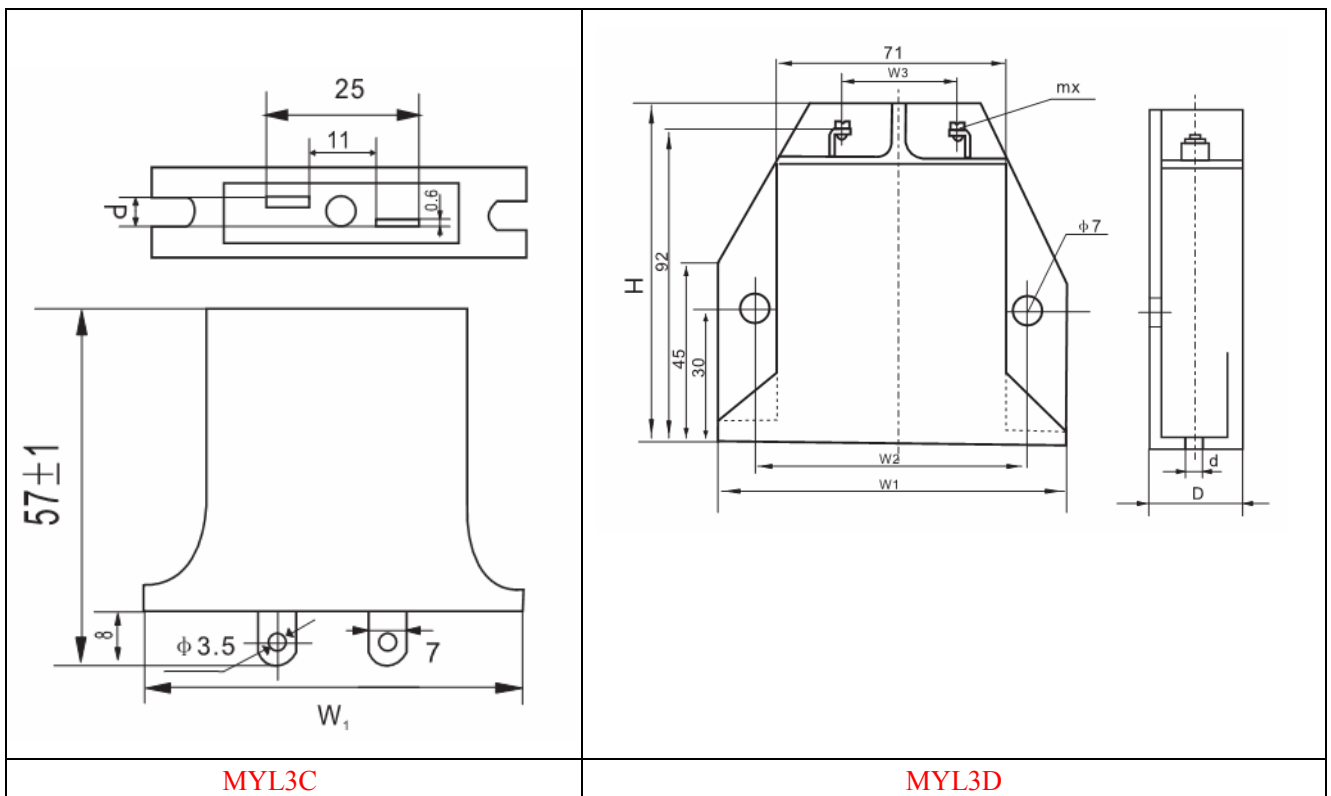
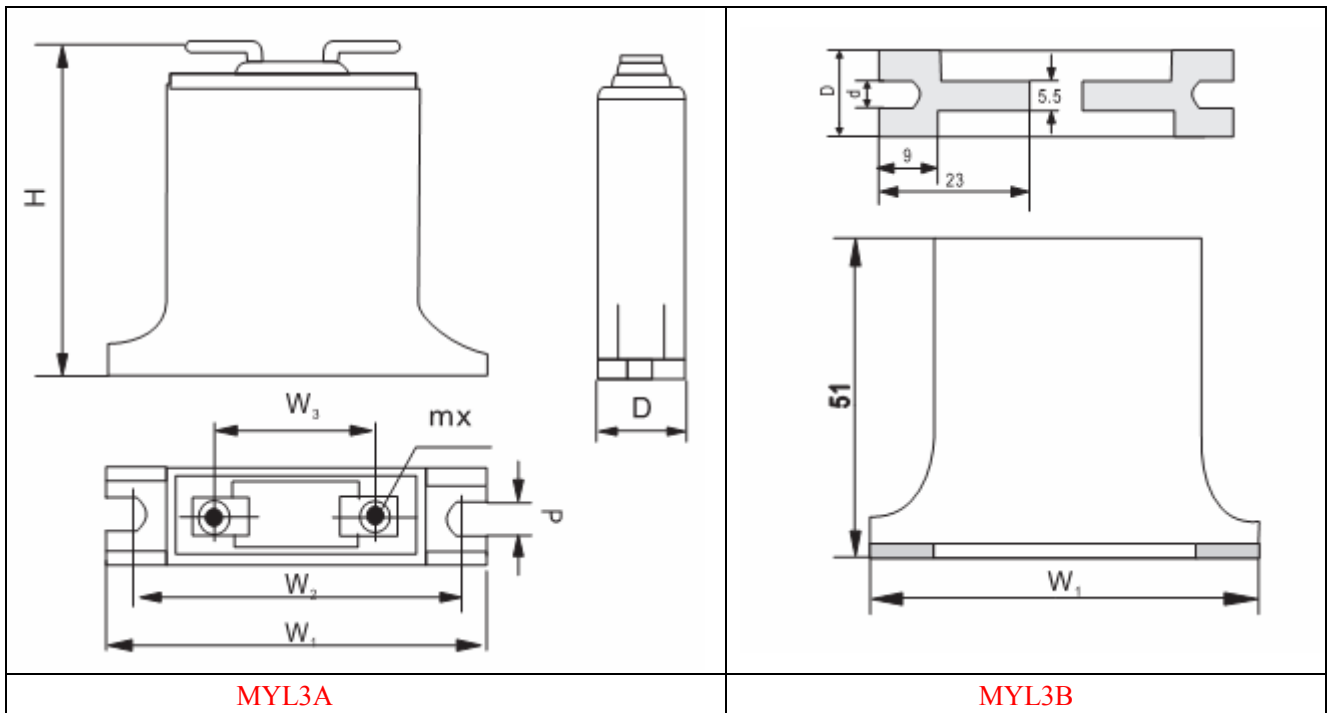
Web: www.eaststarelectronics.com

Add: 10F Xinhai Commercial Building ,No 104 Yuan Lin Road ,Jida District ,Zhuhai, Guangdong , China

Fax: 0086-0756-3362716

E-mail: eaststar@zhese.net

East Star Electronics Co., Ltd



Tel: 0086-0756-2266731

Web: www.eaststarelectronics.com

Add: 10F Xinhai Commercial Building ,No 104 Yuan Lin Road ,Jida District ,Zhuhai, Guangdong , China

Fax: 0086-0756-3362716

E-mail: eaststar@zhese.net

East Star Electronics Co., Ltd

| Model No. | Varistor Voltage | Max. Allowable Voltage | | Max. Clamping Voltage | | Max.peak Current | Energy | Rated Power | Capacitance (Reference) 1KHZ |
|-----------------|------------------|------------------------|--------|-----------------------|--------|------------------|--------|-------------|------------------------------|
| | | Acrms (V) | DC (V) | Vc (V) | Ip (A) | | | | |
| MYL3ABCD200/10 | 200(180~220) | 130 | 170 | 340 | 200 | 10000 | 50 | 1.0 | 4700 |
| MYL3ABCD220/10 | 220(198~242) | 140 | 180 | 360 | 200 | 10000 | 50 | 1.0 | 4300 |
| MYL3ABCD240/10 | 240(216~264) | 150 | 200 | 395 | 200 | 10000 | 50 | 1.0 | 4000 |
| MYL3ABCD270/10 | 270(243~297) | 175 | 225 | 455 | 200 | 10000 | 50 | 1.0 | 3500 |
| MYL3ABCD300/10 | 300(270~330) | 195 | 250 | 495 | 200 | 10000 | 50 | 1.0 | 3400 |
| MYL3ABCD330/10 | 330(297~363) | 210 | 275 | 540 | 200 | 10000 | 50 | 1.0 | 3300 |
| MYL3ABCD360/10 | 360(324~396) | 230 | 300 | 595 | 200 | 10000 | 50 | 1.0 | 3000 |
| MYL3ABCD390/10 | 390(351~429) | 250 | 320 | 650 | 200 | 10000 | 50 | 1.0 | 2700 |
| MYL3ABCD430/10 | 430(387~473) | 275 | 385 | 710 | 200 | 10000 | 50 | 1.0 | 2500 |
| MYL3ABCD470/10 | 470(423~517) | 300 | 385 | 775 | 200 | 10000 | 100 | 1.0 | 2300 |
| MYL3ABCD510/10 | 510(459~561) | 320 | 430 | 855 | 200 | 10000 | 100 | 1.0 | 1900 |
| MYL3ABCD560/10 | 560(504~616) | 350 | 455 | 945 | 200 | 10000 | 100 | 1.0 | 1700 |
| MYL3ABCD620/10 | 620(558~682) | 380 | 505 | 1025 | 200 | 10000 | 100 | 1.0 | 1450 |
| MYL3ABCD680/10 | 680(612~748) | 420 | 560 | 1120 | 200 | 10000 | 100 | 1.0 | 1250 |
| MYL3ABCD750/10 | 750(675~825) | 460 | 615 | 1240 | 200 | 10000 | 100 | 1.0 | 1200 |
| MYL3ABCD780/10 | 780(702~858) | 485 | 640 | 1280 | 200 | 10000 | 100 | 1.0 | 1200 |
| MYL3ABCD820/10 | 820(735~902) | 510 | 670 | 1355 | 200 | 10000 | 100 | 1.0 | 1100 |
| MYL3ABCD910/10 | 910(819~1000) | 550 | 745 | 1500 | 200 | 10000 | 100 | 1.0 | 1050 |
| MYL3ABCD1000/10 | 1000(900~1100) | 625 | 825 | 1650 | 200 | 10000 | 100 | 1.0 | 850 |
| MYL3ABCD1100/10 | 1100(990~1210) | 680 | 895 | 1815 | 200 | 10000 | 100 | 1.0 | 600 |
| MYL3ABCD1200/10 | 1200(1080~1320) | 750 | 970 | 1980 | 200 | 10000 | 100 | 1.0 | 400 |
| MYL3ABCD1300/10 | | | | | | | | | |
| MYL3ABCD1400/10 | | | | | | | | | |
| MYL3ABCD1500/10 | | | | | | | | | |
| MYL3ABCD1700/10 | | | | | | | | | |
| MYL3ABCD1800/10 | | | | | | | | | |

Tel: 0086-0756-2266731

Web: www.eaststarelectronics.com

Add: 10F Xinhai Commercial Building ,No 104 Yuan Lin Road ,Jida District ,Zhuhai, Guangdong , China

Fax: 0086-0756-3362716

E-mail: eaststar@zhese.net